

V-EBS 2500

TECHNOLOGY FOR A SUSTAINABLE TOMORROW



Shredding

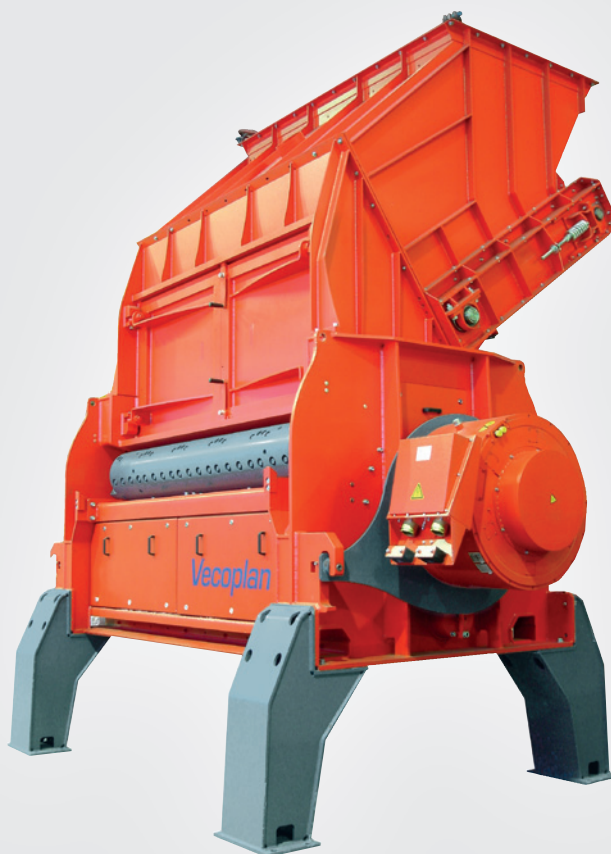


Image shows version with special equipment

APPLICATION

For the production of refuse derived fuels (RDF) from production and sorting waste, packaging material as well as domestic and commercial waste for the energetic use in cement and power plants.

Vecoplan[®]

V-EBS 2500

TECHNOLOGY FOR A SUSTAINABLE TOMORROW

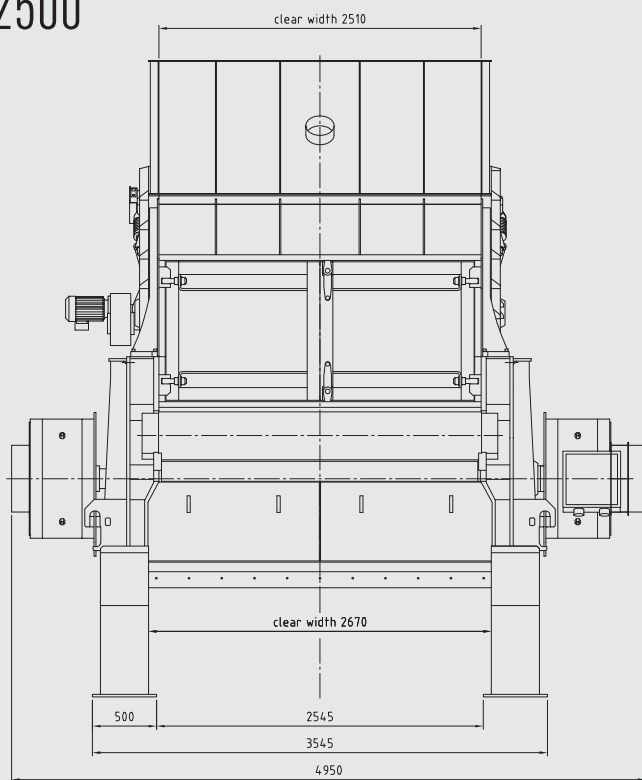


Shredding

Example

V-EBS 2500

Front view



Side view

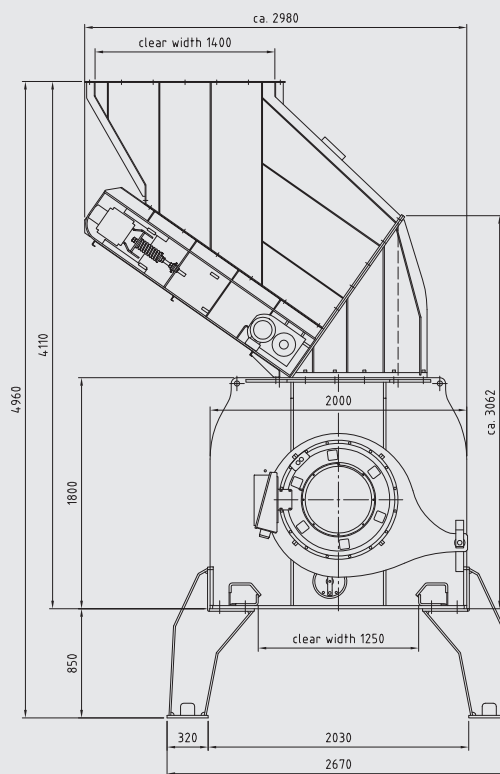


Image shows version with special equipment

DETAILS

		V-EBS 2500
Infeed opening	mm	2510 x 1400
Rotor dimensions	mm	∅ 1000 x 2510
Number of rotor tools	qty	54
Rotor weight	t	13
Centrifugal moment	kgsm ²	1270
Rotor speed approx.	rpm	150-250
Number of counter knives	qty	2
Number of counter knife segments	qty	2 x 5
Motor power (HiTorc®)	kW	2 x 203
Capacity	t/h	10 - 22*
Weight approx.	t	28
Overall dimensions	mm	5000 x 3000 x 5000

Subject to technical changes without notice / Dated: 05/2010

* Depending on input material and screen perforation